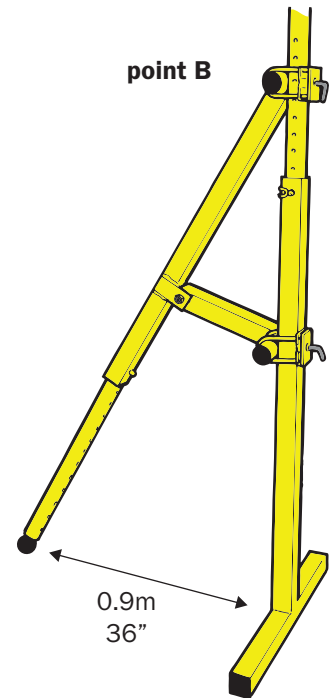
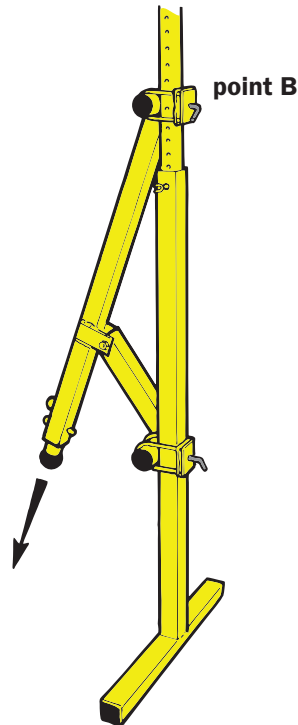
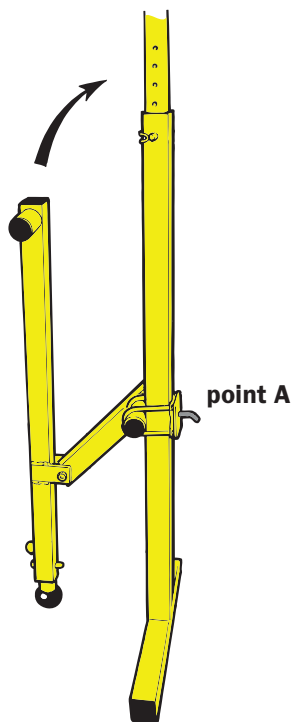


OUTRIGGERS

1. Position the outrigger in line with the trestle leg and then clamp the cross brace to the leg (point A) using a Loband.
2. Lift the outrigger and using the Loband, clamp at point B.
3. Remove the locating pin at the bottom of the outrigger and extend the outrigger insert to the ground. Secure in this position with the locating pin.
4. Loosen the Loband at point B and adjust the outrigger down until the outrigger cross brace is at 90° to the support leg.
5. Fully tighten both Lobands and the thumb screw.



Always extend to maximum

SAFE WORKING LOAD
550lbs / 250kgs

HAND TIGHT MEANS
5 Nm / 45 Inch-lbs

GATE

1. Three Lobands are required to fit a LOBO Gate, two for the Gate hinges and one for the side stop.
2. Position the LOBO Gate exactly vertical and attach to the Adjustable Extension, Extension or Guardrail Insert.
3. Ensure the LOBO Gate is the correct way up and the side stop is fitted to stop the gate opening outwards from the LOBO System.

