

The LOBO Systems Hop Up



Following the introduction of new regulations, handrails should be fitted wherever there is a risk of injury due to a fall. LOBO Systems has re-designed its Hop Up Platform to ensure safe working at height capability with even the simplest of systems. The new LOBO Hop Up can be assembled, like the entire LOBO Systems product range, in minutes – without the need for tools.

The New Hop Up flat packs: making for easy transport and storage, is simple to construct and, by following the manufacturer's instructions, allows safe working at height at even the lowest levels.

The New Hop Up has several adjustable height positions and handrails, to provide a safe alternative to step ladders and comes complete with wheels for mobility.

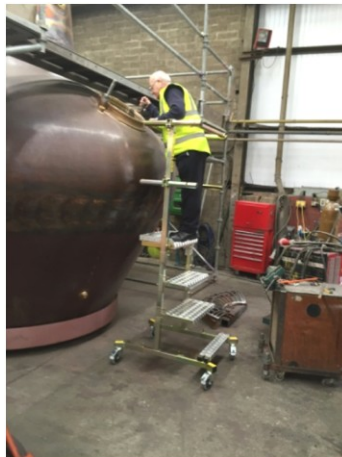
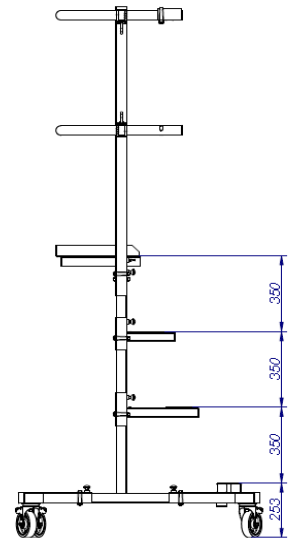
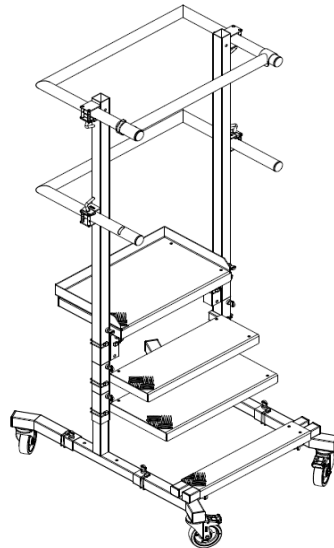
The design incorporates LOBO's patented clamp and T-shaped legs, which ensure fast assembly and stability.



The handrails provide all round safety and meet current Working At Height regulations.

Main Features:

- Height Position 250 to 1300mm Standing Height
- Safe Working At Height
- No Tools Assembly
- Flat Packs
- Steel Construction
- Non-slip Deck Board
- 1m Handrails
- Optional Tool Tray
- Optional Outriggers



www.lobosystems.com

Conformities

EU: BS 1139 parts 3 & 4, BS EN1004:2004

USA: OSHA Compliant, ANSI A10.8, 29 CFR Part 1920 (General Industry)

Canada: S269.2 Access for construction purposes

Australia: AS/NZS 1576.5:1995, AS/NZS 1576.3:1995 Tower.

